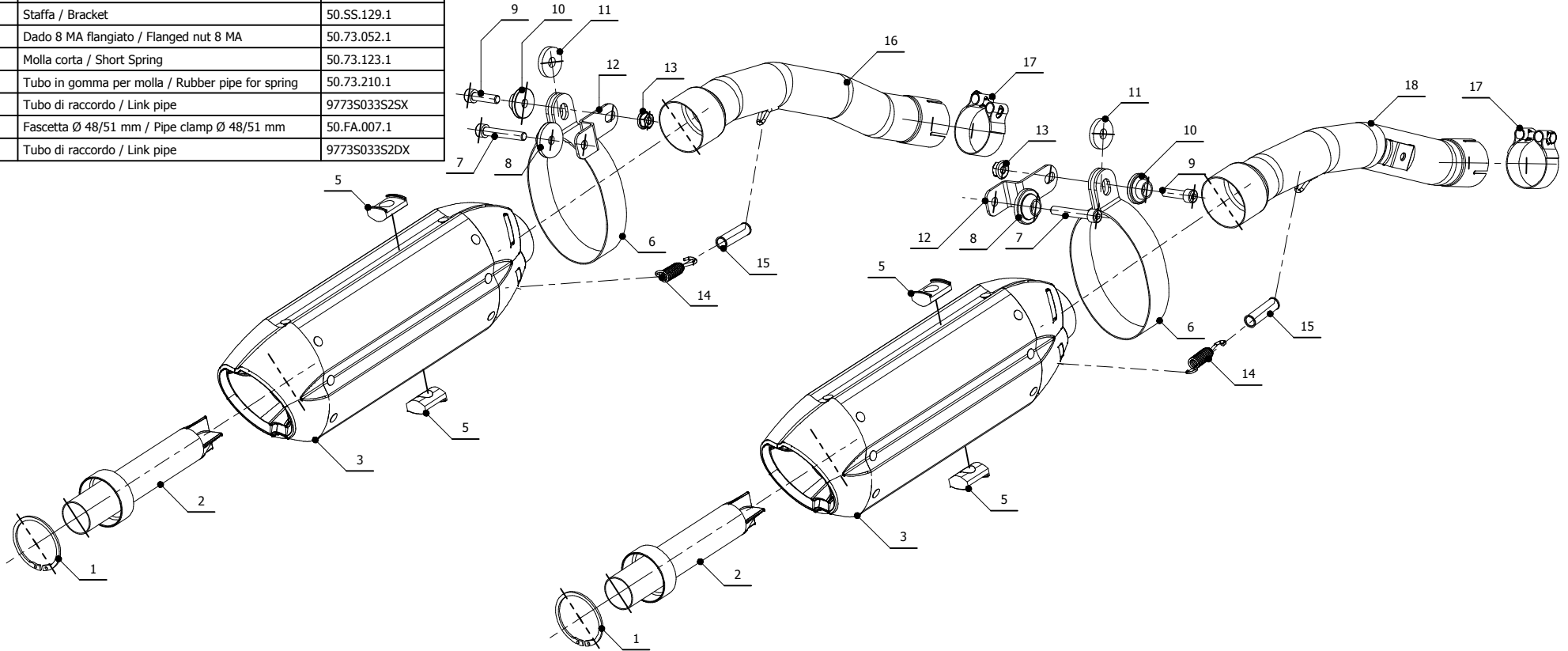


ELENCO PARTI / PARTS LIST

| # | QTÀ / QTY | DESCRIZIONE / DESCRIPTION | CODICE / CODE |
|----|-----------|---|---------------|
| 1 | 2 | Anello Seger / Seger ring | 50.73.218.1 |
| 2 | 2 | Db Killer forato / Drilled DB killer | 50.DK.025.0 |
| 3 | 2 | Silenziatore / Muffler | SUONO |
| 4 | | | |
| 5 | 4 | Tassello grande / Rubber big block | 50.73.203.1 |
| 6 | 2 | Staffa in carbonio / Carbon fiber bracket | 50.SS.180.1 |
| 7 | 2 | Vite M8x50 / Screw M8x50 | 50.73.074.1 |
| 8 | 2 | Rondella in alluminio / Aluminium washer | 50.73.063.1 |
| 9 | 2 | Vite M8x30 / Screw M8x30 | 50.73.219.1 |
| 10 | 2 | Rondella in alluminio nera / Black aluminium washer | 50.73.221.1 |
| 11 | 2 | Rondella in gomma / Rubber washer | 50.73.227.1 |
| 12 | 2 | Staffa / Bracket | 50.SS.129.1 |
| 13 | 2 | Dado 8 MA flangiato / Flanged nut 8 MA | 50.73.052.1 |
| 14 | 2 | Molla corta / Short Spring | 50.73.123.1 |
| 15 | 2 | Tubo in gomma per molla / Rubber pipe for spring | 50.73.210.1 |
| 16 | 1 | Tubo di raccordo / Link pipe | 9773S033S2SX |
| 17 | 2 | Fascetta Ø 48/51 mm / Pipe clamp Ø 48/51 mm | 50.FA.007.1 |
| 18 | 1 | Tubo di raccordo / Link pipe | 9773S033S2DX |


APPLICAZIONI / APPLICATIONS

| CODICE / CODE | TUBO / PIPE | SILENZIATORE / MUFFLER | FASCETTA / CLAMP | CODICE OMOL. / HOMOL. CODE |
|---------------|------------------|--|-------------------------|----------------------------|
| S.033.L7 | INOX / ST. STEEL | CARBONIO E TITANIO / CARBON FIBER AND TITANIUM | CARBONIO / CARBON FIBER | ME033 e9 1288 |